

FUJIFILM MEDICAL SYSTEMS

Product Data



DRYPIX 3000 Medical Dry Imager

Application

The Fuji Medical Dry Imager DryPix 3000 is a compact tabletop image recording device that uses Fujifilm's innovative DuraTherm™ thermal head technology to print the image data sent from medical diagnostic imaging modalities. Its primary application is for decentralized imaging departments, imaging centers and single modalities where a quiet, compact imager is required.

Features

DryPix 3000's compact tabletop design allows maximum flexibility of placement in medical imaging facilities where space is at a premium.

Fujifilm's innovative DuraTherm™ thermal head technology used in the DryPix 3000 ensures stable printing performance and extended thermal head life beyond three years or 50,000 films.

The DryPix 3000's almost silent operation allows it to be placed in close proximity to the operator without discomfort or distraction.

Fujifilm has designed a new internal DICOM network board for the DryPix tabletop imagers. This enables network printing without the need for an external Print Server.

The DryPix 3000 can be used to print 14x17" films. It processes 50 (14"x17") films per hour, providing excellent throughput for decentralized imaging applications.

The DryPix 3000 has unrivalled gray scale reproduction, image consistency and image stability due to its 12 bit density resolution, automatic density

adjustment and Fuji micro-isolating film technology. Fuji's new Advanced Variable Response (A-VR) Spline image interpolation offers ultra-sharp alphanumeric with a wide range of image interpolation from ultra-sharp to ultra-smooth ideally matched to the imaging requirements of each diagnostic application.

System Configuration

Standard Components:

DryPix 3000 Dry Thermal Imager

Package Includes:

- *DryPix 3000 Dry Thermal Imager
- *96MP Page Buffer Memory
- *Film Magazine
- *One empty input port
- *Power Cord - 3m
- *DryPix 3000 Service Manual

Single Input Systems:

DryPix 3000 Single CR Input System

Includes:

- *DryPix 3000 Dry Thermal Imager Pkg.
- *DP 3000 CR Input Kit

DryPix 3000 DICOM System

Includes:

- *DryPix 3000 Dry Thermal Imager Pkg.
- *DP 3000 DICOM Input Kit

DryPix 3000 Single Video Input System Includes:

- *DryPix 3000 Dry Thermal Imager Pkg.
- *DP 3000 Std. Video Input Kit

DryPix 3000 Single Digital Input System Includes:

- *DryPix 3000 Dry Thermal Imager Pkg.
- *DP 3000 Digital Input Kit

Options

- DP 3000 Additional Film Magazine
- DP 3000 48MP Frame Buffer Mem.
- DP 3000 Table Top Turn-Table
- DP 3000 Stand-Alone Cart

Direct Input Kits

- DP 3000 CR Input Kit
- DP 3000 DICOM input Kit
- DP 3000 Standard Video Input Kit
- DP 3000 High Speed Video Input Kit
- DP 3000 Digital Input Kit
- DP 3000 Siemens Digital Input Kit
- DP 3000 Digital Video Input Kit

All kits include:

- *Interface board
- *48MP Frame Buffer Memory
- *Connection Cables to Host up to 100m (not included in DICOM Input Kit)
- *Operator Keypad and Cable (not included in CR or DICOM Input Kit)
- *Keypad Power Adapter (if needed)

Print Server Input Kits

- DP 3000 DICOM Print Server and Input Kit
- DP 3000 Fuji FinP Print Server and Input Kit
- DP 3000 Toshiba Network Print Server and Input Kit

All kits include:

- *Interface board
- *48MP Frame Buffer Memory
- *Cable to Connect DP L to Print Server (up to 100m.)
- *FN-PS 551 Print Server Package

Supplies

Fuji Medical Dry Imaging Film
DI-AT (Blue base) DI-ATc (Clear base):

- 14"x17" 100 sheets per box
- 500 sheets per case

Storage Conditions:

- Temperature 50°F to 74°F
- Relative Humidity 45+/- 15% RH

Specifications

Thermal Recording and
Development Unit:
DuraTherm™ Thin Film type
Thermal Head
Micro-Isolating Film Technology

Processing Capacity:
14"x17" 50 films / hour

Spatial Resolution:
Spatial Resolution 11.8 pixels/mm
(300 dpi)
Pixel Size 84.7 microns

Gray Scale Resolution:
12 bits (4096 gray levels)

Maximum Density:
Standard 3.0 or 2.64

Number of Inputs:
1 (direct)
Connectable Devices:
*DICOM Network (Direct)
*FN-PS 551 Network Print Server
*Fuji Computed Radiography Readers
*Imaging Modalities e.g. CT,
MRI etc. using Video, Digital
or Digital Video connection
*MF-300 Series Multi-formatters

Film Supply:
Standard 1 Film Magazine

True Daylight Film Loading
Film is not light sensitive

Density Adjustment:
Automatic

Memory (RAM)
Page Buffer 96 MP (Standard)
Frame Buffer 48 MP/ Input (Std.)
Maximum 192 MP (Mega Pixels)

Dimensions and Weight

DryPix 3000:
Width: 23"
Depth: 19 ¼" (25 ¾" with film tray)
Height: 14 ¾"
Weight: 90 lbs.
Stand-Alone Cart
Width: 24"
Depth: 38"
Height: 27 ½"
Weight: 55 lbs.

Power Supply

DryPix 3000:
100-240 VAC +/-10%
50/60 Hz +/- 3% Single Phase
Rated Current 7 to 4A
Overload Protection 6.3A x 2
Power Consumption 700W

Environmental Conditions

Temperature and Humidity:
Operating
*Temperature 59°F to 86°F
*Relative Humidity 15% to 70%
Non-Operating
*Temperature 32°F to 113°F
*Relative Humidity 10% to 90%
(No condensation)
Transit / Storage
*Temperature 14°F to 122°F
*Relative Humidity 10% to 90%
(No condensation)

Atmospheric Pressure
Operating
*700 to 1060 hPa
Non-Operating
*500 to 1060 hPa

Floor (Installation Surface):
Vibration Requirement
*Frequency 10 to 55 Hz
*Amplitude < 0.0005"
Levelness
*<1/100 inclination front to rear
and left to right
Flatness
*<0.4"

Environmental Conditions (Continued)

Magnetic Field
*< DC 100 Gauss

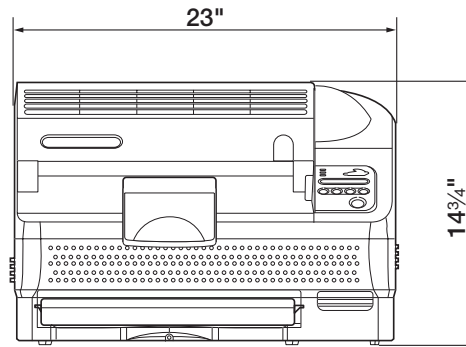
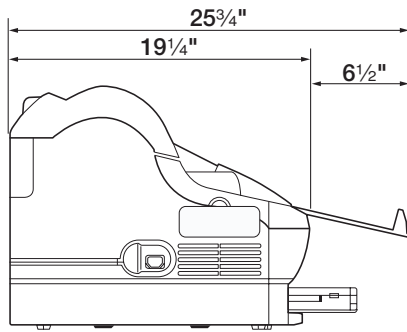
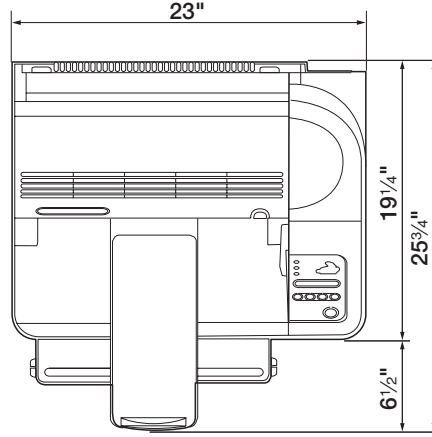
Maximum Heat Generation
DryPix 3000:
*Standby 400 BTU / hour
*Operation 1400 BTU / hour

Noise Level
DryPix 3000:
*Standby <55 dB
*Operation < 60 dB
*Noise burst < 70 dB
(Measuring conditions: 1m from
equipment, height 1.5 m)

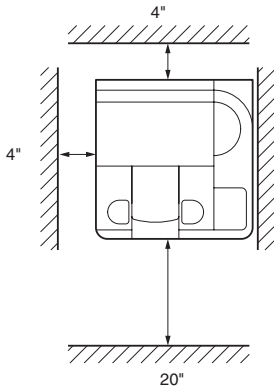
Warm-up Time
DryPix 3000:
*Ambient temperature 77°F
Approximately 5 minutes

Ventilation Requirements:
DryPix 3000:
*Be sure to install this equipment in
a well-ventilated environment

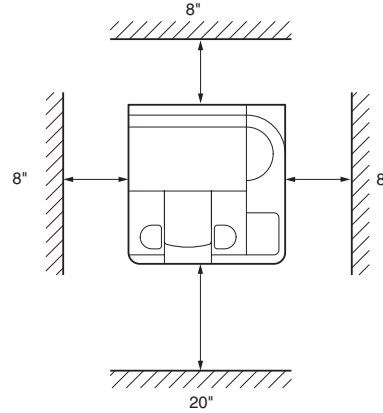
DRYPIX 3000 External Dimensions



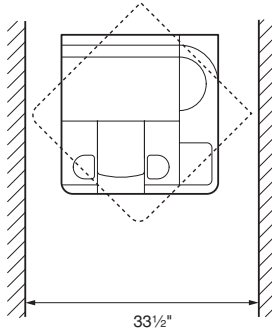
Installation Space



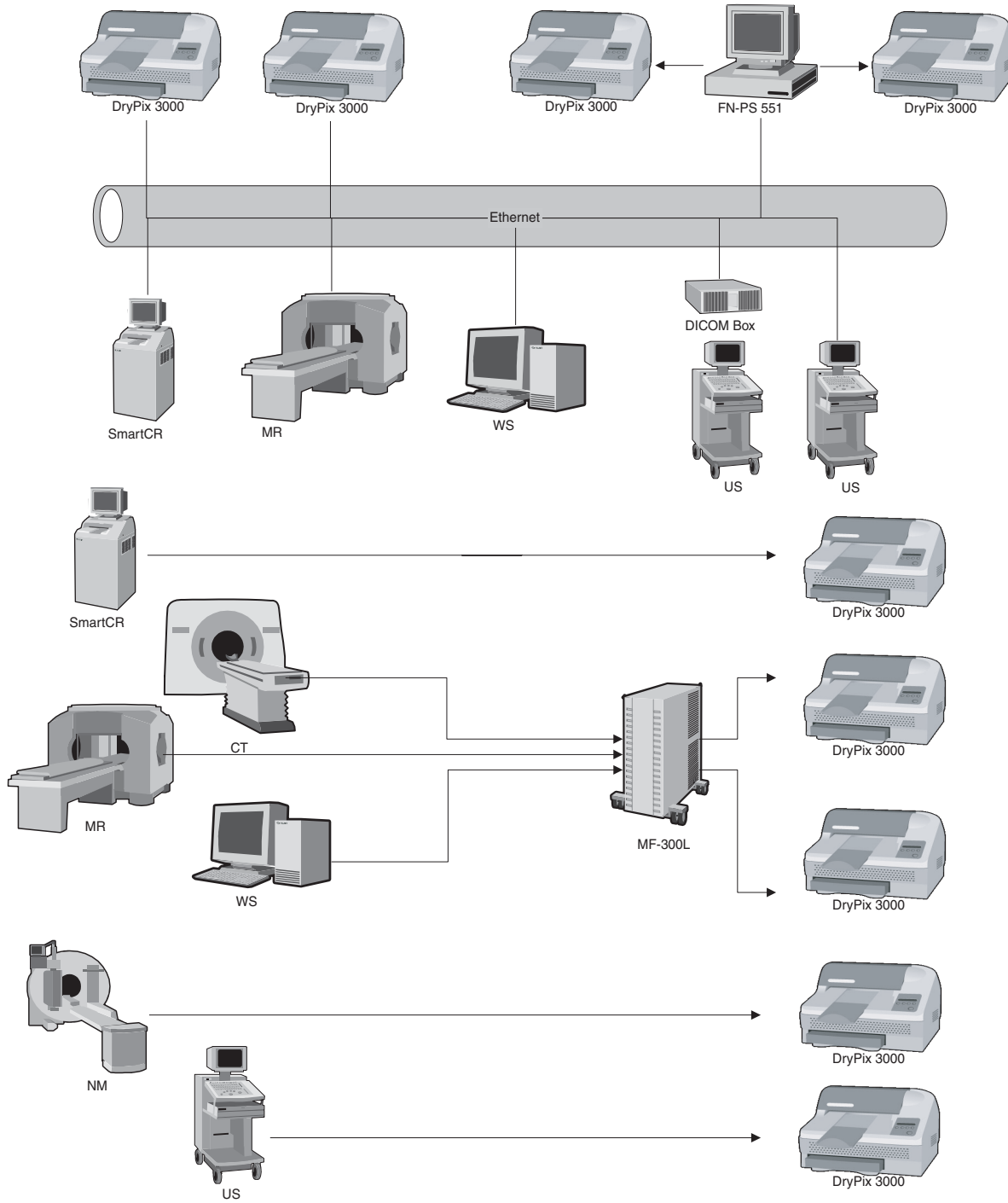
Space Required for Maintenance Work



Space Required for Turning the Equipment



Connectivity Diagram



Specifications subject to change without notice

Fujifilm Medical Systems U.S.A., Inc.

Corporate Headquarters

419 West Avenue
Stamford, CT 06902-6300
203-324-2000
800-431-1850

1055 Stevenson Court
Roselle, IL 60172-2300
630-582-2202
800-323-2546

516 S. Varney Street
Burbank, CA 91502-2126
818-843-4710
800-431-2861

2001 Westside Parkway
Suite 165
Alpharetta, GA 30004-7408
770-346-0120
888-699-FUJI (3854)

12919 S.W. Freeway
Suite 180
Stafford, TX 77477-4122
281-240-6363
866-611-2085

www.fujimed.com

info_laser@fujimed.com

